

DINGLI

GTWY12.5-2100

PUSH AROUND VERTICAL LIFT - DUAL MAST



Standard Equipment

- Cylinder Holding Valve
- Emergency Stop Button
- Two Controllers Operation
- Emergency Lowering System
- Leveling Sensor
- Forklift Pockets
- All Motion Alarm
- Deadman Switch
- Transport Tie Hole
- Battery Charge Indicator
- Electric Limit Switch
- Swing Outriggers With Interlock
- Onboard Diagnostic System
- Flashing Beacon

Options

- AC Power to Platform
- Overload Sensor With Alarm



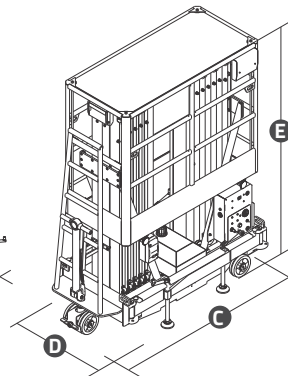
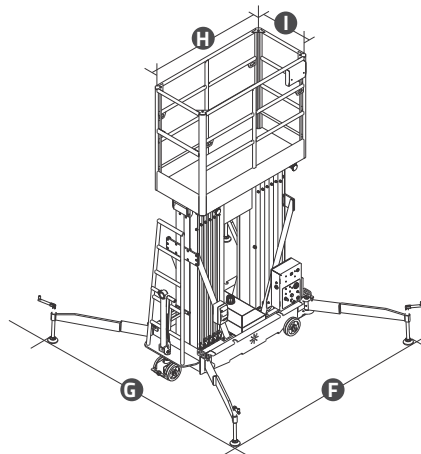
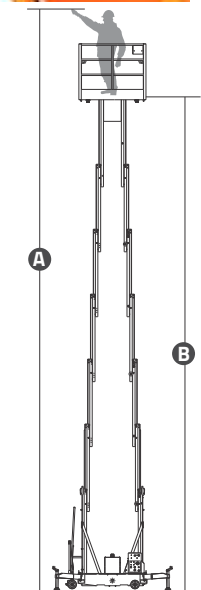
DINGLI

GTWY12.5-2100

PUSH AROUND VERTICAL LIFT - DUAL MAST



Model	GTWY9.5-2100	GTWY11-2100	GTWY12.5-2100	GTWY14-2100
S.W.L	300kg	300kg	250kg	200kg
Max. Occupants	2	2	2	2
Max. Working Height A	9.50m	11.00m	12.50m	14.00m
Max. Platform Height B	7.50m	9.00m	10.50m	12.00m
Overall Length (Stowed) C	1.56m	1.70m	1.70m	1.70m
Overall Width (Stowed) D	0.81m	0.81m	0.81m	0.81m
Overall Height (Stowed) E	1.99m	1.99m	1.99m	2.37m
Outrigger Footprint F/G	1.76/1.66m	2.31/2.39m	2.31/2.39m	2.31/2.39m
Platform Size Length H x Width I	1.27x0.65m	1.39x0.65m	1.39x0.65m	1.39x0.65m
Ground Clearance	0.055m	0.055m	0.055m	0.055m
Lifting Motor - AC	220VAC/1.5kW	220VAC/1.5kW	220VAC/1.5kW	220VAC/1.5kW
Lifting Motor - DC	12VDC/2.5kW	12VDC/2.5kW	12VDC/2.5kW	12VDC/2.5kW
Up/Down Speed	55/30sec	62/32sec	62/34sec	75/40sec
Batteries	2x12V/85Ah	2x12V/85Ah	2x12V/85Ah	2x12V/85Ah
Integrated Charger	12V/15A	12V/15A	12V/15A	12V/15A
Tyres (Back Wheels)	7in	7in	7in	7in
Tyres (Front Wheels)	7in	7in	7in	7in
Weight - AC	630kg	780kg	820kg	1020kg
Weight - DC	690kg	840kg	880kg	1080kg



Delivering Safety & Productivity

Chennai | Bengaluru | Mumbai | Ahmedabad | Delhi | Kolkata | Sri Lanka | Qatar

equipment@mtandt.com

90901 01065

www.mtandt.com